



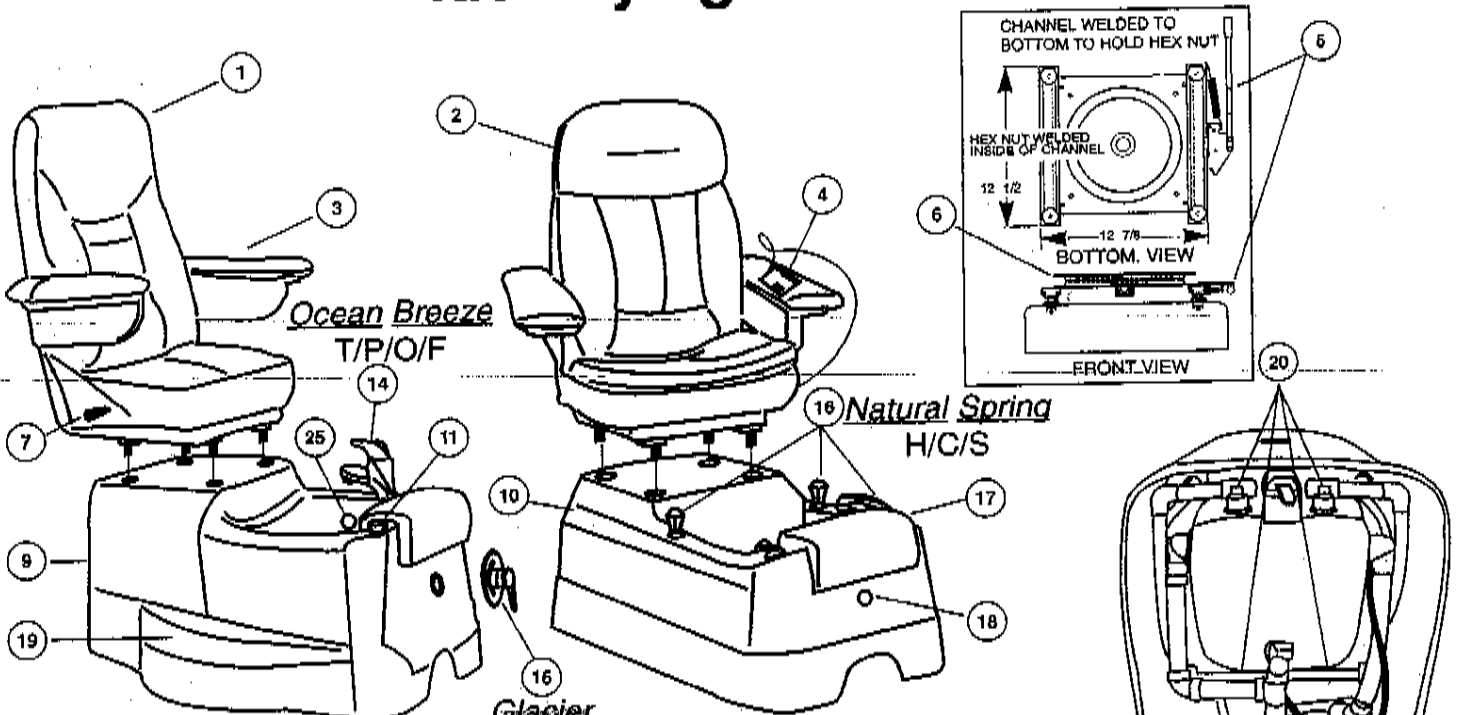
SALON CORP.
www.saloncorporation.com

Pedicure Spa with Massage and Heat System
Made In Canada

OPERATING INSTRUCTIONS

Before operating the unit please read this manual thoroughly, and retain it for future reference.

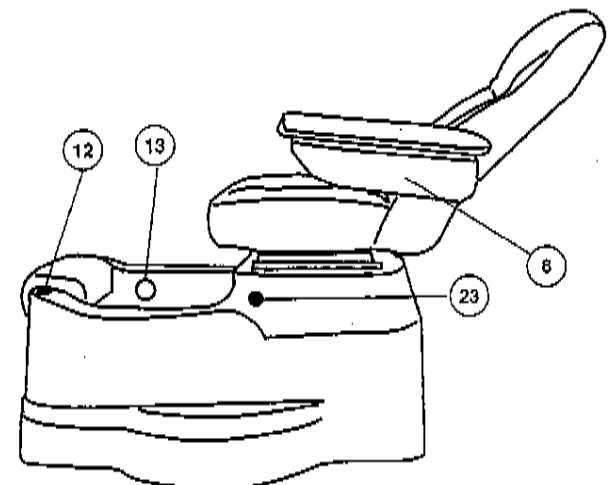
Identifying the Parts



- 1 - Vinyl Chair (Vibrating Massager)
- 2 - Ultra Leather chair (Roller Massager)
- 3 - Chair arm cushion
- 4 - Massage, hand-held remote control
- 5 - Seat adjustable slider/controller
- 6 - Seat swivel mechanism
- 7 - Recliner, handle control
- 8 - Location for (optional) manicure trays Fastened with 2 wing nuts (B354)
- 9 - Base body with steps (W/S)
- 10- Base body without steps (N/S)
- 11- Jet pump, air adjustment control handle
- 12- On/Off air switch to activate pump
- 13- Drain handle. **To drain**, turn counter clockwise. **To close**, turn clockwise
- 14- Top, single handle pullout faucet (T/P/O/F)
- 15- Front faucet with pullout spray (F/F). Note: no up & down adjustment on foot rest with front faucet
- 16- Top, hot and cold faucet with pullout spray (H/C/F)
- 17- Foot rest cushion
- 18- Foot rest height adjustment button (available with T/P/O & H/C faucet's)
- 19- Non-slip steps (on W/S)
- 20- Jets
- 21- Jet pump
- 22- Optional Evacuation Pump (E/P)
- 23- On/Off air switch for (optional) Evacuation Pump (E/P)
- 24- "P" Trap
- 25- Suction fitting

Size (no step): 29" W x 49" L x 18" H

New (no step): 28.5" W x 46" L x 18" H



Size (with step): 40" W x 46" L x 21" H

IMPORTANT SAFETY INSTRUCTIONS

INSTRUCTIONS PERTAINING TO A RISK OF FIRE, ELECTRIC SHOCK, OR INJURY TO PERSONS

WARNING: When using this unit, basic precautions should always be followed, including the following:

1. **READ AND FOLLOW ALL INSTRUCTIONS.**
2. **DANGER:** To reduce the risk of injury, do not permit children to use this unit.
3. Use this unit only for its intended use as described in this manual. Do not use attachments not recommended by the manufacturer.
4. Never drop or insert any object into any opening.
5. Do not operate this unit without the guard over the suction fitting.
6. The unit must be connected only to an electric circuit that is protected by a ground-fault circuit-interrupter (GFCI). A GFCI should be provided by the installer and should be tested on a routine basis. To test the GFCI, push the test button. The GFCI should interrupt power. Push the reset button. Power should be restored. If the GFCI fails to operate in this manner, the GFCI is defective. If the GFCI interrupts power to the unit without the test button being pushed, a ground current is flowing, indicating the possibility of an electric shock. Do not use this unit. Disconnect the unit and have the problem corrected by a qualified service representative before using.
7. **SAVE THESE INSTRUCTIONS.**

WARNING: The symptoms of hyperthermia include an increase in the temperature of the body, dizziness, lethargy, drowsiness, and fainting. The effects of hyperthermia include:

- a) Failure to perceive heat.
- b) Failure to recognize the need to exit the spa.
- c) Unawareness of impending hazard.
- d) ~~Fatal damage in pregnant women.~~
- e) Physical inability to exit the spa.
- f) Unconsciousness resulting in the danger of falling.

WARNING: The use of alcohol, drugs, or medication can greatly increase the risk of fatal hyperthermia.

INSTALLATION INSTRUCTIONS

WARNING: When using electrical products, basic precautions should always be followed, including the following:

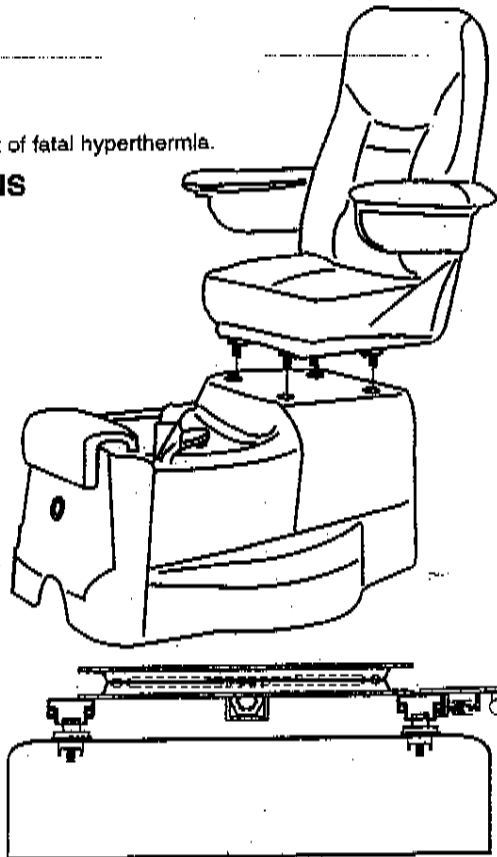
1. **DANGER: RISK OF ELECTRIC SHOCK.** Connect only to a circuit protected by a ground-fault circuit-interrupter (GFCI).
2. Grounding is required.
3. Install to permit access for servicing.
4. Building materials and wiring should be routed away from the pump body or other heat-producing components of the unit.

WARNING: The unit should be installed and serviced by a qualified service representative.

HOW TO INSTALL THE CHAIR TO THE BASE

Note: 2 person installation is recommended.

- 1- Place the spa base where you would like it (base must be level to the floor).
 - 2- Place the chair on top of base. Align the 4 base screws to the 4 pre-drilled holes on base. **Note: make sure the lever for reclining the chair is on the right side of the chair. The seat adjustable slider/controller should be positioned on the left front of the chair**
 - 3- Place the washer's and fasten by tightening the wing nuts securely onto the underside of the base.
- Important: (final tightening with pliers is recommended)



FRONT VIEW

Power and Plumbing Requirements

Power source 120 volt AC/10.6 amp, 60 HZ, 12 volt DC with Ground Fault Interrupter (GFCI) class A-type
Water source 1/2 inch fitting hot and cold
Drain source 1 1/2 inch drain

WARNING: YOU MUST HAVE A QUALIFIED, LICENSED ELECTRICIAN CONNECT THIS SPA SAFELY. FAILURE TO DO SO MAY RESULT IN SERIOUS INJURY AND / OR DEATH DUE TO ELECTRICAL SHOCK.

Plumbing Installation Notes

Common

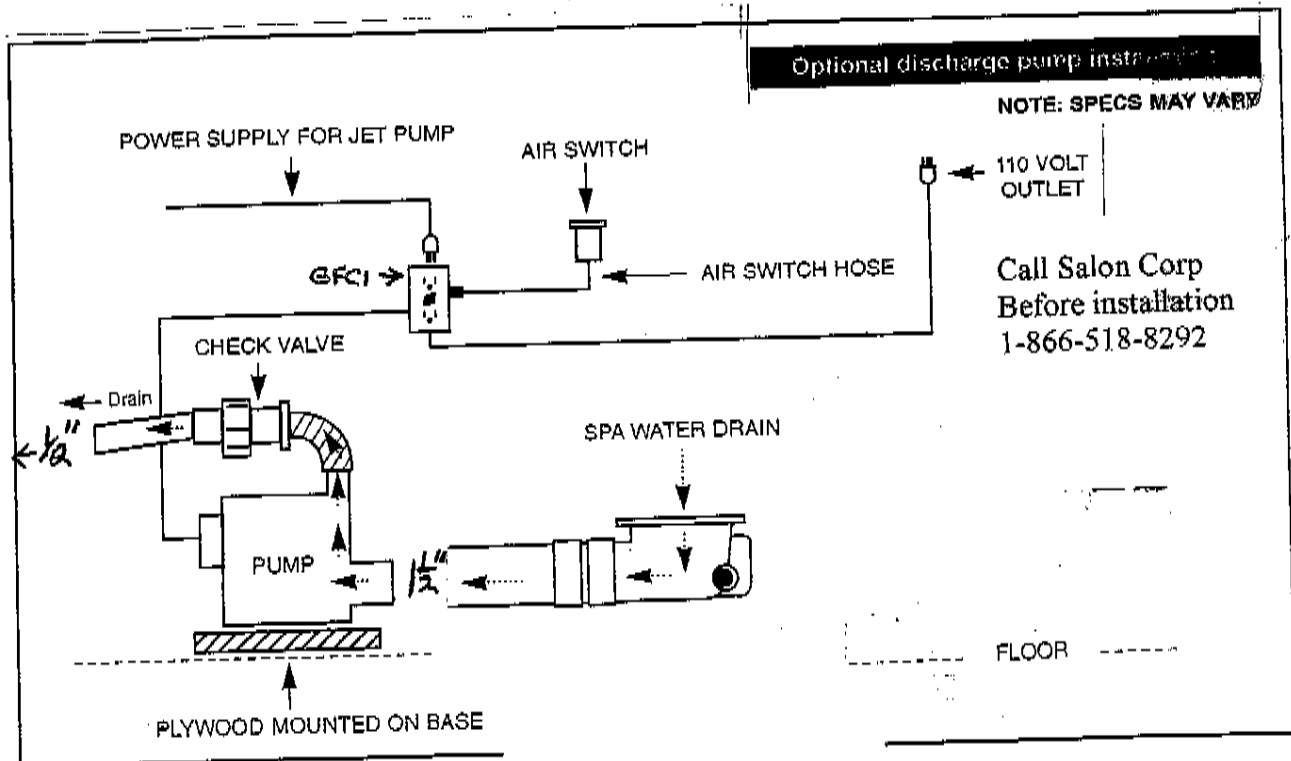
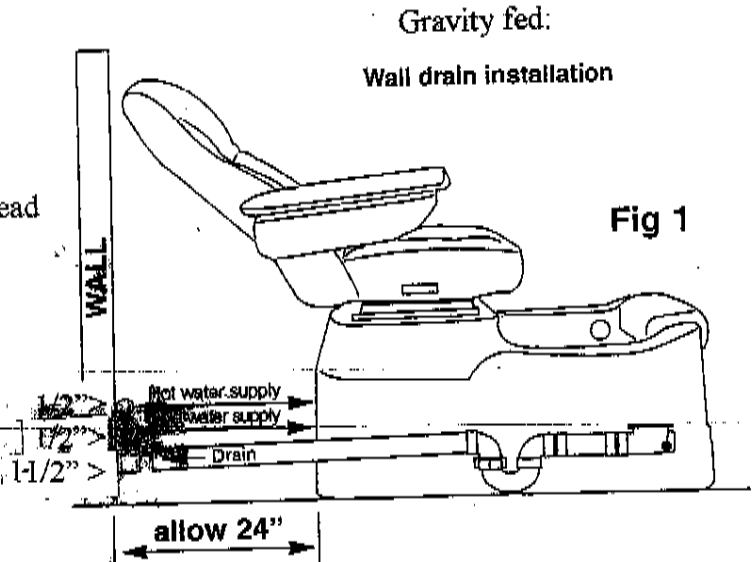
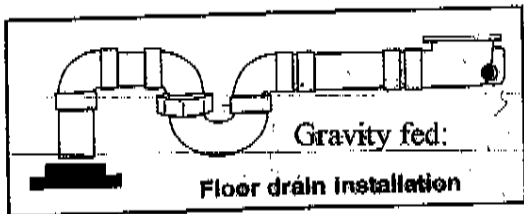
1. Electric source 115 VAC 60 HZ, 12 VDC (adapter included) with Ground Fault Interrupter (GFCI) class A-type supplied by electrician.
2. Water source Hot: 1/2 inch (fitting included). Cold: 1/2 inch (fitting included).
3. No support is required, however this unit must sit level on the floor.

Drain Configuration

INSTALLATION INSTRUCTIONS

NOTE: before installation, make sure the Spa unit sits level.

- Connect "P" trap to Drain Pipe.
- Connect HOT water supply to flexible pipe. > 1/2" pipe thread
- Connect COLD water supply to flexible pipe.



Operating the Pedicure Spa

Getting Started

1. Turn drain handle (13) clockwise and check that drain valve is closed.
2. Fill tub with water until the water level is 1" above jets.
3. Press air button switch (12) to turn jets on.
4. Adjust the jet pump air adjustment control handle. (11)
Do not close completely.

Note: At no time must the pump be turned on when the system is dry, as damage may occur, causing the pump seals to leak. Such damage is not covered by warranty.

While the spa action is in operation, do not use an excessive amount of soap, bath oils or detergent, as high action turbulence often causes excessive foaming.

Shutting down

1. Push in air button switch (12) and turn jetting off.
2. Turn drain handle (13) counter clockwise and check that drain valve is open.
3. Clean tub as recommended below.

Spa Pump Maintenance Instructions

A quick sponge-down with warm water and a liquid detergent will take care of most cleaning needs. In areas where the water is hard, more frequent cleaning will be necessary to avoid a build-up on the surface.

We recommend that a good-quality acrylic cleaner be applied occasionally as this will preserve the gloss and will make cleaning easier.

The spa should be purged every 3 or 4 months. The following procedure is suggested: Running the spa 10-15 minutes using 2-3 tablespoons of automatic dishwasher detergent diluted in water. Drain tub, refill and run spa for 10 minutes. Drain and rinse.

Stains on the base

For stubborn stains, try removing with a liquid detergent. If this does not work, try a mild powder detergent which also works well for removing heavy soap film. Cleaning pads made of nylon, saran or polyethylene and containing no abrasive may be used. **DO NOT USE ABRASIVE SCOURING POWDERS OR METAL SCOURING PADS** as they can permanently damage the finish. Should your stain removal result in a dull area, the shine can be restored with an automobile cleaner wax.

Things to avoid

Sand and grit. Dropped tools. Acetone on any acrylic surface.

Damage

Should your unit suffer accidental damage or require servicing, it must be performed by a qualified repair person. Consult your plumber or distributor.

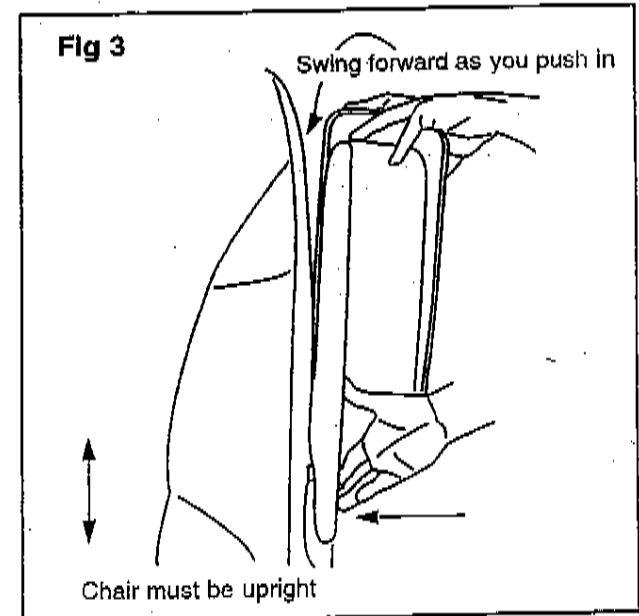
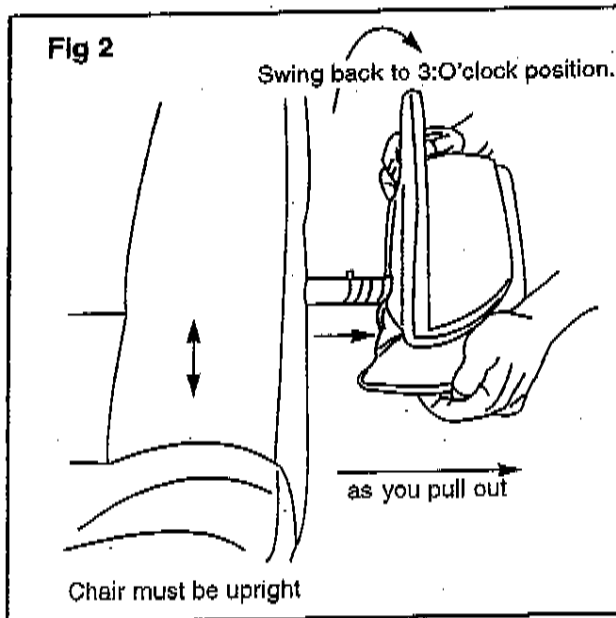
Arms

For removal of arms:

- 1- Make sure the back of the chair is at an upright position.
- 2- Swing arm clockwise to approx 3:0'clock position. (Fig 2)
- 3- Pull out towards you. Note: pin must clear key way on chair.

To install the arms:

- 1- Make sure the back of the chair is at an upright position.
- 2- Start arm at approx 3:0'clock position. (Fig 2)
- 3- Push in towards the chair. Note: pin must be inserted into the key way on chair.
- 4- Slightly swing the arm counter clockwise as you push in with your right hand to the forward position (Fig 3)



Your Roller Massager:

(with Kneading button control for the neck)

To operate your kneading back cushion you need to locate the rectangular control pad on the lower right side of the machine and turn the *red* power switch to ON. At the top of the unit you need to adjust the kneading nodes accordingly by turning the round knob clockwise to go up or counterclockwise to go down. At this time, if you would like to adjust the amount of time to something other than the 15-minute preset time you should do so now. The minutes are adjusted in 5-minute increments by pressing the SPEED button to increase or the FORCE button to decrease the minutes.

You are now ready to turn the massager on. You have two options at this point: you can either use the AUTO button, which stimulates its own multifunctional back massage program *or* you can use the ON/OFF button, which allows you decide what type of massage you would like to receive.

The KNEADING button is what controls the two kneading nodes in the neck and the MESSAGE button is what controls the twelve nodes in the back cushion. You can adjust the speed of the massage to low, medium or high by pressing the SPEED button. The remote will display "S ___ ---" to let you know which speed you have chosen. You can also adjust the direction in which the nodes are moving by pressing the TECHNIQUE button. The remote will display "N1" for clockwise or "N2" for counterclockwise.

The VIBRATION button is what lets you change the type of massage you want to receive. You can adjust the rhythm to fast, medium or slow by pressing the *blue* MODE button. The remote will display "H1" for fast, "H2" for medium or "H3" for slow. You can also adjust the intensity to low, medium or high by pressing the *blue* FORCE button. The remote will display "F ___ ---" to let you know what intensity you have chosen.

You can use this machine for many different areas on your body, such as your neck, back, arms, calves, feet etc. However, if too much pressure is placed on the cushion, the nodes will start to slow down. If this is the case, please remove any pressure from the cushion. Eventually, the motor will stop, but this increases the chances in damaging the machine.

Your Roller Massager: (with Kneading button control for the neck)

Power Source: 120V, 60Hz

Power Consumption: 80W

IMPORTANT SAFETY PRECAUTIONS

- 1.) Read all instructions before using.
- 2.) **CAUTIONS** – Please use the following precautions when operating this machine.
 - a.) If you are pregnant or under the care of a physician, contact your physician before using.
 - b.) Do not store in a location where there may be excessive moisture such as a bathroom.
 - c.) Using this machine should be a pleasurable experience. If you feel pain or discomfort during or after use, discontinue use immediately and contact your physician.
 - d.) Do not use this machine for longer than 30 minutes. If you use this machine longer than recommended, it has a safety feature that will automatically shut the machine down. At that time, unplug the machine and wait a couple hours before plugging it back in.
 - e.) Do not use on swollen or inflamed areas or on a skin laceration. Do not use on any area of the body that has received medical treatment without consulting a physician prior to use.
 - f.) Do not open this machine or attempt to make repairs yourself. Doing so will void your Forever Warranty.
- 3.) **DANGER** To reduce the risk of electric shock you should:
 - a.) Always unplug this machine from the electrical outlet immediately after using and before cleaning.
 - b.) Never operate the product if it has a damaged cord or plug.
- 4.) **WARNING** – To reduce the risk of burns, fire, electric shock or injury to persons:
 - a.) Never leave unattended when plugged in. Unplug from outlet when not in use.
 - b.) Do not operate under blanket or pillow. Excessive heating can occur and cause fire, electric shock or injury.
 - c.) Close supervision is necessary when this machine is used by, on or near children or disabled people. Do not allow a child to operate.
 - d.) Use this machine only for its intended use as described in the manual.
 - e.) Never operate this machine if it is not working properly, if it has been dropped or damaged. Return the machine to a service center for examination and repair.
 - f.) Do not carry the machine by its cord.
 - g.) Keep cord away from heated surfaces.
 - h.) Never drop or insert any objects into any openings.
 - i.) Do not use outdoors.
 - j.) Do not operate where spray products are being used or where oxygen is being administered.
 - k.) Disconnect and turn all controls to the off position and then remove plug from outlet.

Your Roller Massager:

(with no neck massage)

Operation manual

ONE: Insert the bnc connector plugs of electrical source of massage cushion into the bnc connector jack, turn on the switch of the power source on the right of the switch board.

TWO: Select the massage effect what you need by press the key on the hand-controlled machine.

A. Auto key: It is auto-circulation massage switch. Press "On / Off key" first, then press "Auto key" once, the machine can be finished automatic control by the computer program. When it is started, the "Auto Indicator lamp" light. Press "Auto key" again for turning off the automatic function.

B. "On/Off key" : It is the general switch of the machine. Press once for entering into the hand-controlled mode, press again for turning off the function. When the hand-controlled mode is worked, the "Hand-controlled indicator lamp" light.

C. Massage key: It is massage switch. Press once for starting massage function in the hand-controlled mode, the "Massage indicator lamp" light. Press again for turning off the function.

D. Push-grasp key: It is push-grasp switch. Press once for starting push-grasp function in the hand-controlled mode, the "Push-grasp indicator lamp" light. Press again for turning off the function.

E. Technique key: It is technique switch of massage and push-grasp. You can select positive massage and push-grasp when the time indicator is displayed N1 or select negative massage and push-grasp when the time indicator is displayed N2 in the hand-controlled mode.

F. Speed key: It is speed adjustment switch of massage and push-grasp. Press it for adjusting the speed of massage and push-grasp in the hand-controlled mode. The indicator will display S₁ (fast) S₂ (middle) S₃ (slow) according to the speed what you set.

G. Vibration key: It is massage and vibration switch. Press once, the "Vibration indicator lamp" light. Press again for turning off the vibration function.

Your Roller Massager:

(with no neck massage)

H. Mode key: It is vibration mode switch. Press it for selecting three kinds of vibration mode(H1、H2、H3) according to the indicator.

I. Strength key: It is strength adjustment switch of vibration. Press it for selecting three kinds of vibration strength which display F⁺(high) F⁻(middle) F₋(low) according to the time indicator.

J. Time adjust: The tolerant times is 15 minutes. Press "Speed key" before turn on "On/Off key", you can increase the time. The maximal time is 30 minutes. Press "Strength key", you can decrease the time.

THREE: Technical Parameter

Type: RK-0288 massage Cushion

Rated Voltage: 110V

Rated Frequency: 60Hz

Rated Power: 80W

Fixed Time: 15 min

Points for attention

1. Prevent water or other corrosive liquid washing the machine.
2. Not to touched with needle and forcedly res. Don't crush or stop on.
3. It's not fit for working over 30 minutes every time.
4. Turn off the cushion and pull out the power source plug after it is used. Use again must be distanced 5 minutes.
5. Turn off the power when the abnormity happened.
6. Pregnant women and other patients of serious diseases don't use the machine.

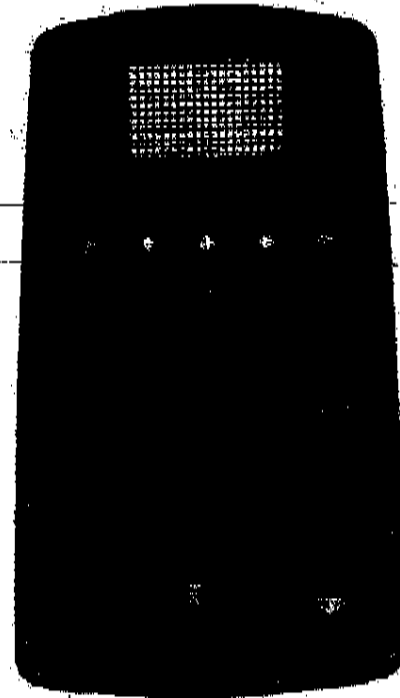
Maintenance and Guarantee

Please don't let the machine hang in the air or shake by using portable power wires, or it'll cause the fuse broken and the machine will not work normally.

Prevent water or other corrosive liquid entering the machine. Or it'll cause breakdown and damage the machine.

For everyday maintenance, please clean it with neutral cleanser and soft cloth.

Don't use corrosive cleanser.



4 ZONE MASSAGE CHAIR

OPERATING INSTRUCTIONS

To create your own custom massage, follow these easy steps:

With all the slide switches on the hand control in the "OFF" position, connect the power cord to the hand controller. Use a 120 Volt AC adaptor. There are 3 switches on the hand control. The TOP 2 SWITCHES control the vibrating motors:

1st switch UPPER BACK
2nd switch LOWER BACK



Each slide switch has an off position and 2 massage strength settings, "LO", and "HIGH".

The BOTTOM SWITCH is the heat control: which also has an "OFF" position and 2 strength setting "HI" and LO".

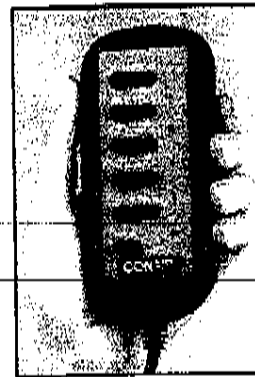
5 ZONE MASSAGE CHAIR

OPERATING INSTRUCTIONS

To create your own custom massage, follow these easy steps:

With all the slide switches on the hand control in the "OFF" position, connect the power cord to the hand controller. Use a 120 Volt AC adaptor. There are 6 switches on the hand control. The TOP 5 SWITCHES control the vibrating motors:

- 1st switch NECK
- 2nd switch LEFT SHOULDER
- 3rd switch RIGHT SHOULDER
- 4th switch LOWER BACK
- 5th switch SEAT



Each slide switch has an off position and 3 massage strength, "LO", "MED" and "HIGH". When a motor is activated, the corresponding L.E.D. lights to indicate activation. Try each motor setting to create the custom massage you desire.

The BOTTOM SWITCH is the on/off heat control. Slide the switch to the right to activate the heat in the middle section of the back. The L.E.D. lights when the feature is activated. Please note: Activate the heat option only while the unit is in use. Do not preheat the massaging system. After using, return all switches to the "OFF" position.

6 ZONE MASSAGE CHAIR

OPERATING INSTRUCTIONS

This massager has been designed for ease of operation. To create your own custom massage, follow these easy steps: With all the slide switches on the hand control in the off position, connect power cord to the hand controller. There are 6 switches on the hand control. The top 5 switches control the vibrating motors:

1 st switch	NECK
2 nd switch	LEFT SHOULDER
3 rd switch	RIGHT SHOULDER
4 th switch	LOWER BACK
5 th switch	SEAT



Each slide switch has an "OFF" position and 3 massage strength settings: "LO", "MED", and "HI". When a motor is activated, the corresponding L.E.D. lights to indicate activation. Try each motor setting to create the custom massage you desire.

The BOTTOM SWITCH is the ON/OFF heat control. Slide the switch to the right to activate the heat in the middle section of the back. The heat L.E.D. lights when the feature is activated. Please note: Activate the heat option only while the unit is in use. Do not "preheat" the massaging system. After using, return all switches to the "OFF" position.

Generally massage should last 15 minutes. Treatment may be applied once or twice daily.

Precautions and Maintenance

1. If a spill of nail polish remover occurs, immediately wash out with clean water. Never attempt to clean the chair or tub with nail polish remover. (Spill may void the warranty).
2. Never attempt to turn on the power switch without water in the tub. (Running dry will void the warranty).
3. Remote controller and any electrical devices must stay away from the spa.
4. Advise each and every customer to use care and caution when using the pedicure spa.
5. Check the water temperature before every use - Hot water is dangerous.
6. All units are factory tested for proper operation and leaks. Please re-check for leaks with water before permanent installation.
7. The unit must not be operated unless it is properly connected through a ground fault interrupter (Class A type) - GFCI.
8. Tampering with any devices is prohibited.

WARNING: YOU MUST HAVE A QUALIFIED, LICENSED ELECTRICIAN CONNECT THIS SPA SAFELY.
FAILURE TO DO SO MAY RESULT IN SERIOUS INJURY AND / OR DEATH DUE TO ELECTRICAL SHOCK.

Specifications subject to change without notice.

Warning: Do not use if you are diabetic, have poor circulation, or if any area of your feet or legs is inflamed or has an open sore. Consult your physician before using if you have any kind of fungal infection, swelling, fracture or persistent pain.



SALON CORP.
www.saloncorporation.com

2180 Highway #7 Unit 25
Concord, Ontario, L4K 1W6
Tel: 905-482-8768
Toll free: 1-866-518-8292
Fax: 905-6699658

E-mail: info@saloncorporation.com

Limited Warranty: Note maximum labor \$100.00

Salon Corporation warrants this product including any accessories against defects in material or workmanship as follows:

1. **LABOR:** For a period of one (1) year from the date of purchase, if the spa base is determined to be defective, Salon Corporation will repair the product at no charge. After the \$ 100.00 maximum in labor you must pay for all labor charges.
2. **PARTS:** Salon Corporation will supply at no charge, new or rebuilt replacements in exchange for defective parts for a period of one(1) year. After the warranty period you must pay for all parts costs, and installations.
3. **MOTOR (PUMP); Parts and labor are for one(1) year. After the warranty period, you must pay for all parts and costs.**

***Customer must guarantee return of defective parts.**

***Warranty void if pump is run dry,.**

***No warranty of gaskets.**

To obtain warranty service, you must obtain pre-authorization from your authorized distributor and deliver freight pre-paid. This warranty does not cover installation, set-up, adjustments, and damage due to improper use or maintenance, connection to improper plumbing supply, or attempted repair by anyone other than a facility authorized by Salon Corporation to service this product. Proof of purchase in the form of a bill or sales receipted invoice which is the evidence that the unit is within warranty period must be presented to obtain warranty service.

This warranty is null and void if the product is removed from its place of initial installation, or is not installed in accordance with federal, provincial or municipal codes and ordinances. Furthermore, this warranty does not apply if the product has been subject to misapplication, improper installation or maintenance, negligence or other circumstance beyond Salon Corp control.

This warranty is null and void if the product is not securely fastened to the floor.